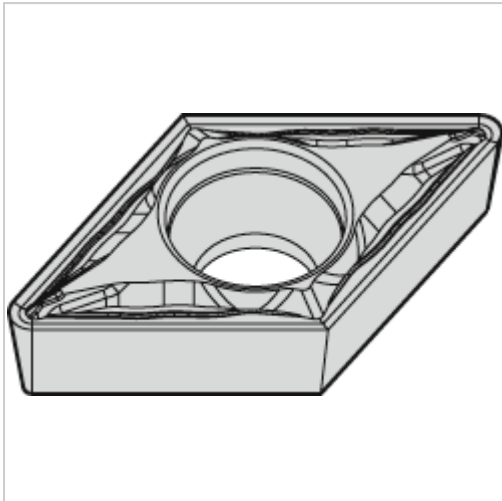




Wendeschneidplatte ZrCN DCMT 070204 FP WP25CT



WIDIA

7,15 €

Prices excl. VAT plus shipping costs

Art nr.: 192912WP25CT

Properties

Bearbeitung:	Schlichten
Beschichtung:	ZrCN
Schnitt:	glatter schnitt
Spanbrecher:	Ja
Spanleitstufe:	FP

Variants

Code	Schneidstoff	ISO-Code	PU	Price/PU
193025WP25CT	WP25CT	DCMT 11T304 FP	1 pices	€9.62
193024WP25CT	WP25CT	DCMT 11T302 FP	1 pices	€10.80
192912WP25CT	WP25CT	DCMT 070204 FP	1 pices	€7.15
193024WM25CT	WM25CT	DCMT 11T302 FP	1 pices	€10.80
193025WM25CT	WM25CT	DCMT 11T304 FP	1 pices	€9.62
192912WM25CT	WM25CT	DCMT 070204 FP	1 pices	€7.15