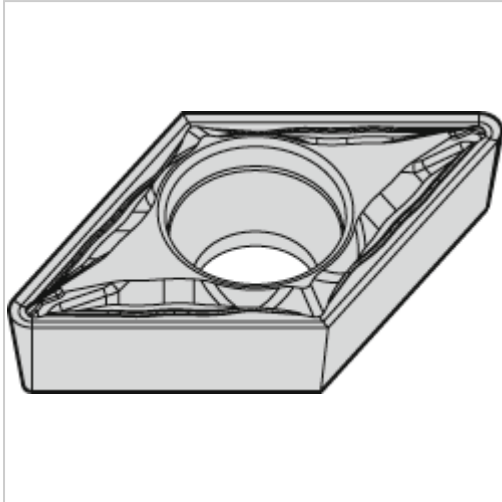




## Wendeschneidplatte ZrCN DCMT 11T302 FP WM25CT



# WIDIA

## 10,80 €

Prices excl. VAT plus shipping costs

Art nr.: **193024WM25CT**

### Properties

<b>Bearbeitung:</b>	Schlichten
<b>Beschichtung:</b>	ZrCN
<b>Schnitt:</b>	glatter schnitt
<b>Spanbrecher:</b>	Ja
<b>Spanleitstufe:</b>	FP

### Variants

Code	Schneidstoff	ISO-Code	PU	Price/PU
193025WP25CT	WP25CT	DCMT 11T304 FP	1 pices	€9.62
193024WP25CT	WP25CT	DCMT 11T302 FP	1 pices	€10.80
192912WP25CT	WP25CT	DCMT 070204 FP	1 pices	€7.15
<b>193024WM25CT</b>	<b>WM25CT</b>	<b>DCMT 11T302 FP</b>	<b>1 pices</b>	<b>€10.80</b>
193025WM25CT	WM25CT	DCMT 11T304 FP	1 pices	€9.62
192912WM25CT	WM25CT	DCMT 070204 FP	1 pices	€7.15