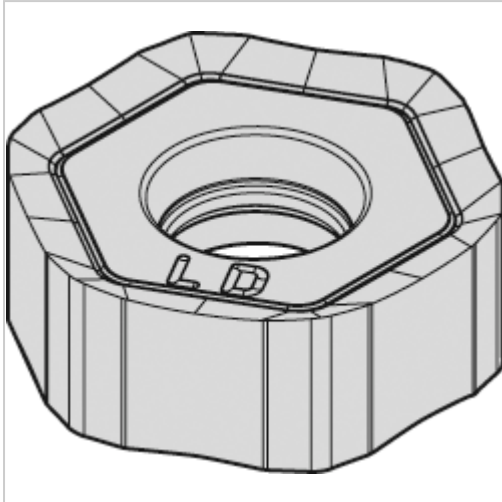




Wendeschneidplatte TiAlN HNGJ 0704 ANEN LD TN6520



WIDIA

21,25 €

Prices excl. VAT plus shipping costs

Art nr.: **170044TN6520**

Properties

Beschichtung:	TiAlN
Einsatzgebiet:	Gusseisen
ISO-Code:	HNGJ 0704 ANEN LD
Schnitt:	glatter schnitt

Variants

Code	Schneidstoff	PU	Price/PU
170042THMU	THM-U	1 St.	€21.10
170042TN6501	TN6501	1 St.	€24.10
170044TN6520	TN6520	1 St.	€21.25
170044WP25PM	WP25PM	1 St.	€22.30
170044WP40PM	WP40PM	1 St.	€22.20
170044WS40PM	WS40PM	1 St.	€21.75